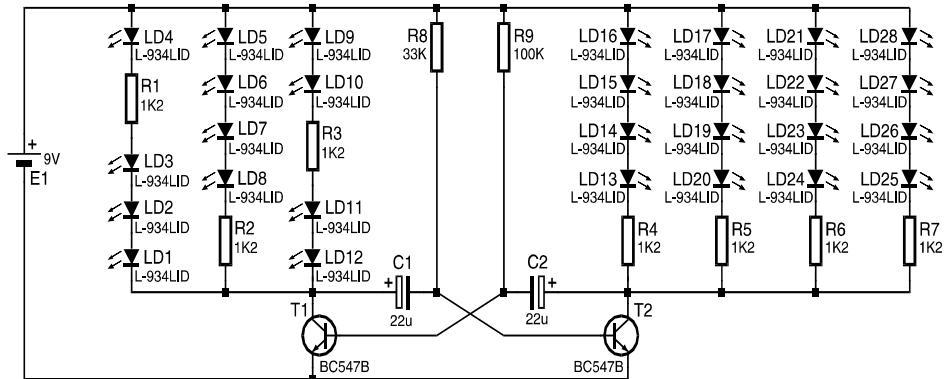


**1** Resistor - Weerstand - Résistance - Widerstand - Resistencia - Motstand - Vastus - Resistenze

	◇ R1 ... R7 : 1K2	(Brown, Red, Red) - (Bruin, Rood, Rood) - (Brun, Rouge, Rouge) - (Braun, Rot, Rot) - (Brun, Röd, Röd) - (Ruskea, Punainen, Punainen) - (Marrón, Rojo, Rojo) - (Castanho, Encarnado, Encarnado) - (Marrone, Rosso, Rosso)
	◇ R8 : 33K	(Orange, Orange, Orange) - (Oranje, Oranje, Oranje) - (Oranssi, Oranssi, Oranssi) - (Naranjado, Naranjado, Naranjado) - (Laranja, Laranja, Laranja) - (Aranciato, Aranciato, Aranciato)
	◇ R9 : 100K	(Brown, Black, Yellow) - (Bruin, zwart, Geel) - (Brun, noir, Jaune) - (Braun, Schwarz, Gelb) - (Brun, Svart, Gul) - (Ruskea, Musta, Keltainen) - (Marrón, Negro, Amarillo) - (Castanho, Preto, Amarelo) - (Marrone, Nero, Giallo)



MK101\_rev.1

**2** LED

Watch the polarity!  
Att. la polarité!

◇ LD1 ... LD28 : 3mm

**3** Transistor

◇ T1, T2 : BC547

**4** Electrolytic capacitor

Watch the polarity!  
Attention à la polarité!

◇ C1, C2 : 22µF

