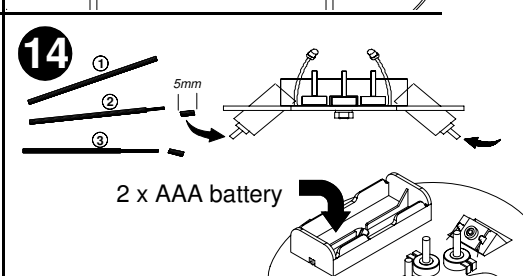
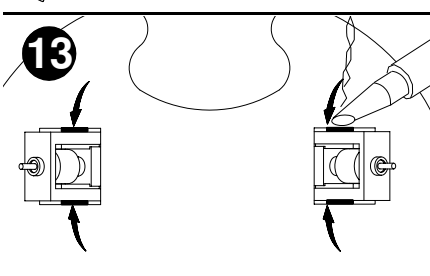
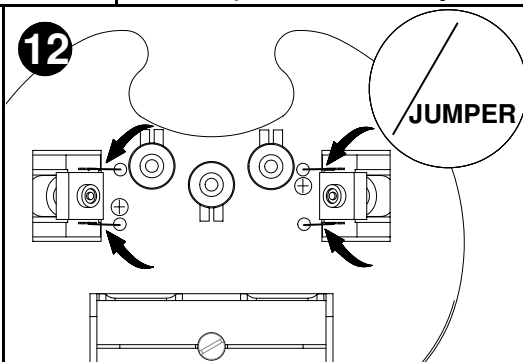
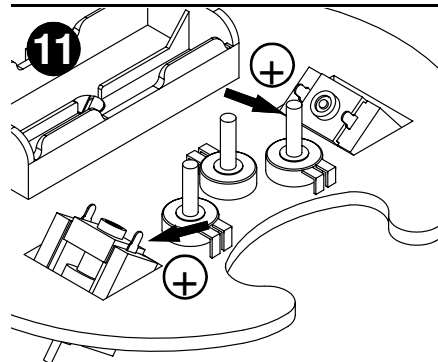
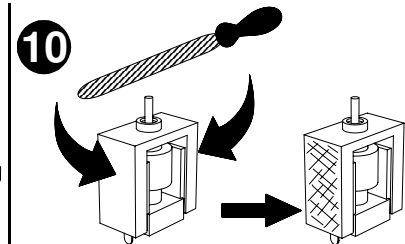
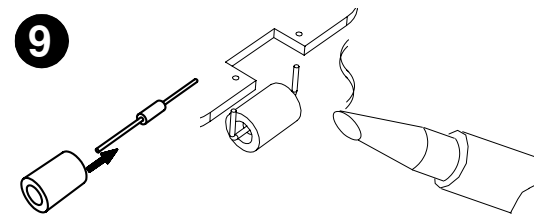


1 	Resistor - Weerstand - Résistance - Widerstand - Resistencia - Motstand - Vastus - Resistenze	◇ R1,R2: 1K	(Brown, Black, Red) -(Bruin, Zwart, Rood) -(Brun, Noir, Rouge) -(Braun, Schwarz, Rot) -(Brun, Svart, Röd) -(Ruskea, Musta, Punainen) -(Marrón, Negro, Rojo) -(Castanho, Preto, Encarnado) -(Marrone, Nero, Rosso)
		◇ R3,R4: 10K	(Brown, Black, Orange) -(Bruin, Zwart, Oranje) -(Brun, noir, Orange) -(Braun, Schwarz, Orange) -(Brun, Svart, Orange) -(Ruskea, Musta, Oranssi) -(Marrón, Negro, Naranja) -(Castanho, Preto, Laranja) -(Marrone, Nero, Aranciato)
		◇ R5,R6, R7,R8: 100	(Brown, Black, Brown) -(Bruin, zwart, Brown) -(Brun, noir, Brun) -(Braun, Schwarz, Braun) -(Brun, Svart, Brun) -(Ruskea, Musta, Ruskea) -(Marrón, Negro, Marrón) -(Castanho, Preto, Castanho) -(Marrone, Nero, Marrone)
		◇ R9, R10:220	(Red, Red, Brown) -(Rood, Rood, Bruin) -(Rouge, Rouge, Brun) -(Rot, Rot, Braun) -(Röd, Röd, Brun) -(Punainen, Punainen, Ruskea) -(Rojo, Rojo, Marrón) -(Encarnado, Encarnado, Castanho) -(Rosso, Rosso, Marrone)



2 LDR

◇ LDR1
◇ LDR2

3 SWITCH

◇ SW1
◇ SW2

4 HOR. TRIMMER

◇ RV1: 22K (25)
◇ RV2: 10K
◇ RV3: 10K

5 TRANSISTOR

◇ T1 : BC547C
◇ T2 : BC547C
◇ T3 : BC547C
◇ T4 : BC547C
◇ T5 : BC547C
◇ T6 : BC547C
◇ T7 : BC557C
◇ T8 : BC557C

6 ELECTROLYTIC CAPACITOR

Watch the polarity !
Att. à la polarité !

◇ C1: 22µF
◇ C2: 22µF

7 BATTERY HOLDER

Red-Rood-Rouge-
Rot-Röd-
Punainen-Rojo-

8 LED

Watch the polarity !
Att. à la polarité !

CATHODE

◇ LD1
◇ LD2

